



Flexible Cut foliage trimmer

Your all-rounder for foliage trimming work

The Flexible Cut foliage trimmer provides perfect results even with heavy growth, thanks to its perfect cutting profile. When trimming foliage, the newly developed undercut blade catches the low-hanging shoots. If required, these blades can also be used as an extension to the vertical cutters.

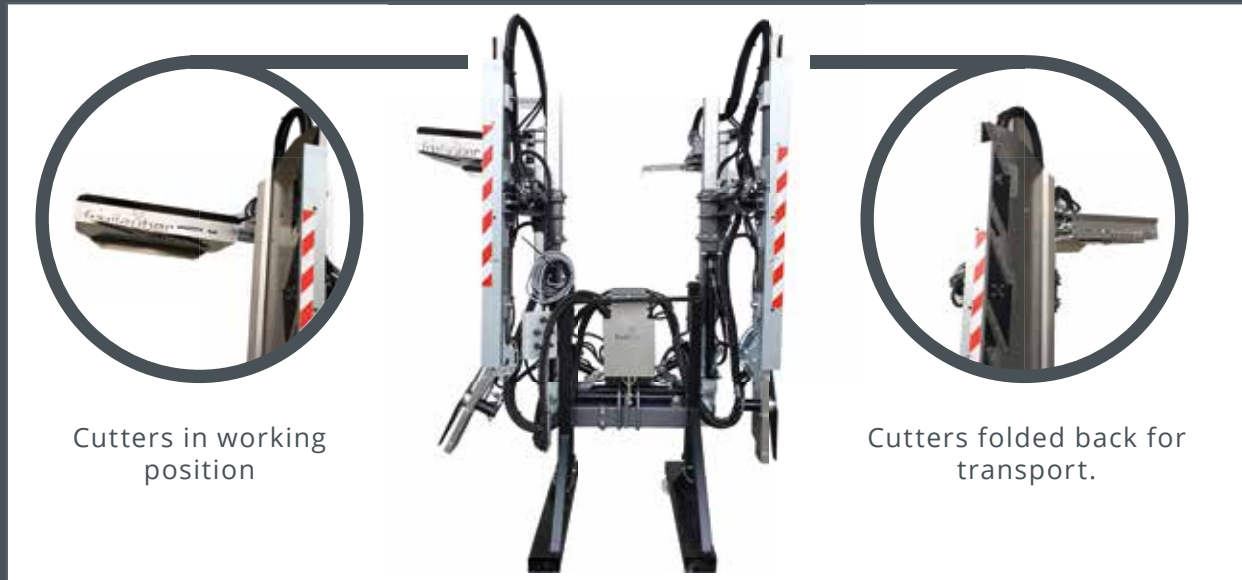
It stands out from the crowd thanks to its flexible, stepless setting options, therefore, ensuring you can configure it to perfectly meet your requirements. Tackling different row widths, row heights and foliage thicknesses presents no problems at all for the Flexible Cut.

The symmetrical construction ensures significantly better weight distribution and reduced risk of tipping. The cutting tools are suspended facing outwards, ensuring a clear view for the driver.

The cutting units are made of rustproof steel and are characterised by their robust construction, long service life and low maintenance requirements.

Important facts at a glance

Comparison of transport and working position

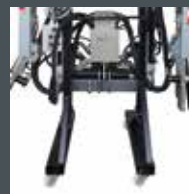


Cutters in working position

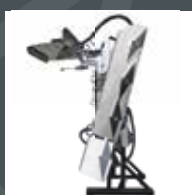
Cutters folded back for transport.



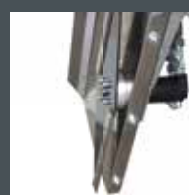
Clear view for the driver.



Practical **support feet** for easy attachment and detachment.



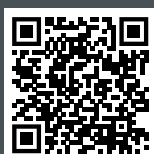
Safety releases with automatic reset, plus **large blades** for a perfect cutting profile.



Each cutter has its own **separate, low-speed motor**.

Technical data

- Horizontal cutting lengths: Choice of 1 blade (70 cm) or 2 blades (105 cm)
- Vertical cutting lengths: Choice of 3 blades (160 cm) or 4 blades (176 cm)
- Joystick control with a control unit
- Oil pressure is 80 bar with a flow rate of 10–12 litres/min



For more information, see www.freilauber.de or simply scan the QR-Code.

From your authorised dealer



Flexible Cut foliage trimmer

Your all-rounder for foliage trimming work

The Flexible Cut foliage trimmer provides perfect results even with heavy growth, thanks to its perfect cutting profile. When trimming foliage, the newly developed undercut blade catches the low-hanging shoots. If required, these blades can also be used as an extension to the vertical cutters.

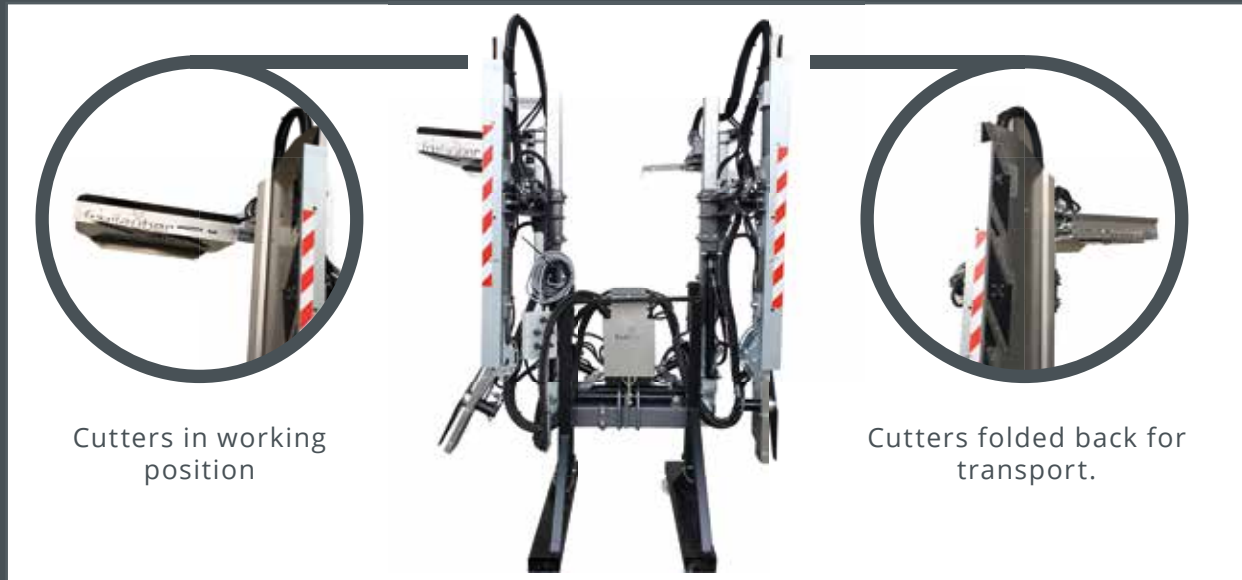
It stands out from the crowd thanks to its flexible, stepless setting options, therefore, ensuring you can configure it to perfectly meet your requirements. Tackling different row widths, row heights and foliage thicknesses presents no problems at all for the Flexible Cut.

The symmetrical construction ensures significantly better weight distribution and reduced risk of tipping. The cutting tools are suspended facing outwards, ensuring a clear view for the driver.

The cutting units are made of rustproof steel and are characterised by their robust construction, long service life and low maintenance requirements.

Important facts at a glance

Comparison of transport and working position

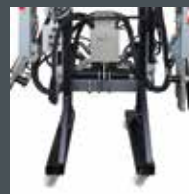


Cutters in working position

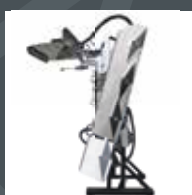
Cutters folded back for transport.



Clear view for the driver.



Practical **support feet** for easy attachment and detachment.



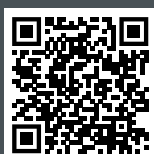
Safety releases with automatic reset, plus **large blades** for a perfect cutting profile.



Each cutter has its own **separate, low-speed motor**.

Technical data

- Horizontal cutting lengths: Choice of 1 blade (70 cm) or 2 blades (105 cm)
- Vertical cutting lengths: Choice of 3 blades (160 cm) or 4 blades (176 cm)
- Joystick control with a control unit
- Oil pressure is 80 bar with a flow rate of 10–12 litres/min



For more information, see www.freilauber.de or simply scan the QR-Code.

From your authorised dealer